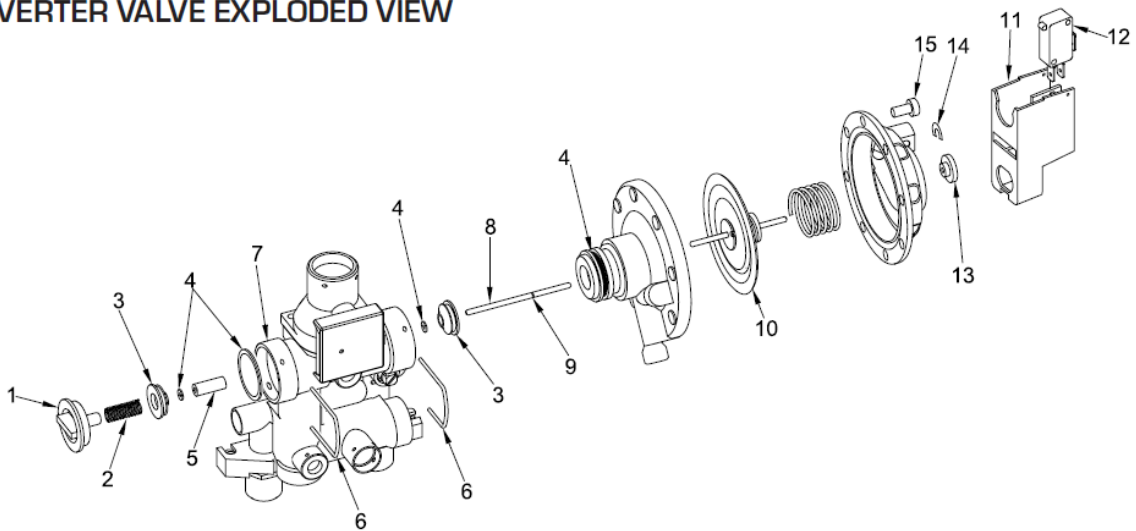




### DIVERTER VALVE EXPLODED VIEW



- |                           |                                |
|---------------------------|--------------------------------|
| 1 End cap                 | 9 Spindle circlip              |
| 2 Spring                  | 10 Diaphragm                   |
| 3 Bush                    | 11 Microswitch support         |
| 4 O-ring                  | 12 Microswitch                 |
| 5 Spacer                  | 13 Spindle plastic head        |
| 6 Securing clip           | 14 Microswitch support circlip |
| 7 D.H.W. Technyl manifold | 15 Screw                       |
| 8 Spindle                 |                                |